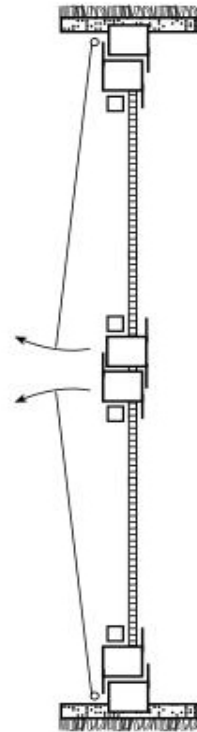
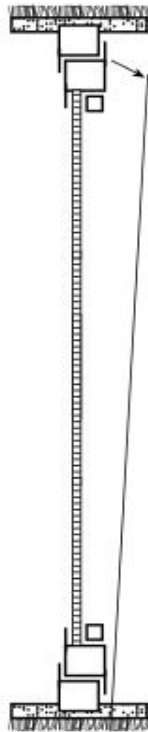
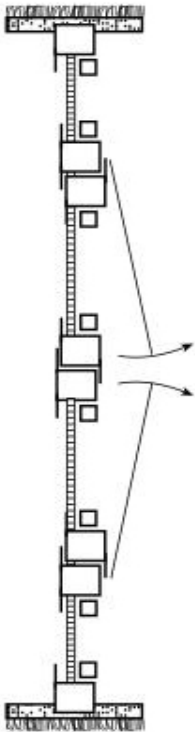


# "L", "T" & "Z" PROFILES FOR DOOR & WINDOW FRAMES



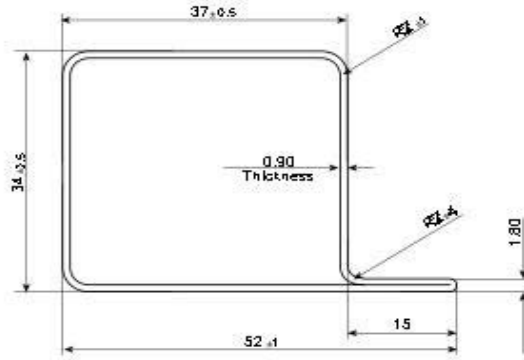
**IIL-the best in Pakistan**

# "L", "T" & "Z" PROFILES FOR DOOR & WINDOW FRAMES



**INTERNATIONAL INDUSTRIES LTD.**

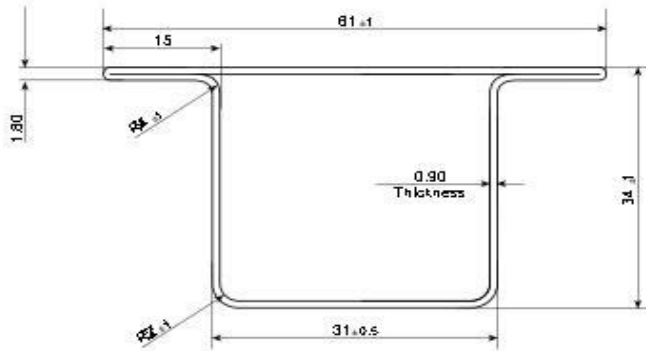
GROUP-4



SHAPE	Thick	Length	Mass	Dimension (mm)			
	T	m	(kg/m)	A	B	C	D
L-55	0.90	6.000	1.20	52	15	34	37

L-PROFILE

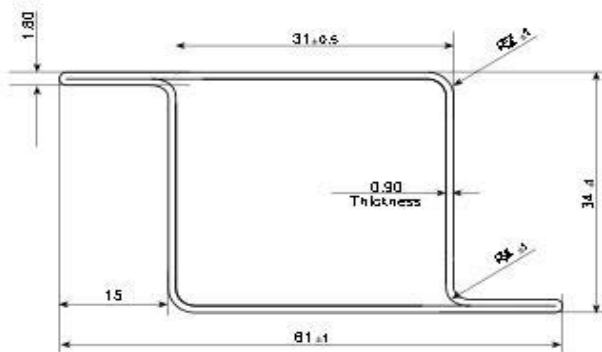
GROUP-4



SHAPE	Thick	Length	Mass	Dimension (mm)			
	T	m	(kg/m)	A	B	C	D
T-60	0.90	6.000	1.32	61	15	34	31

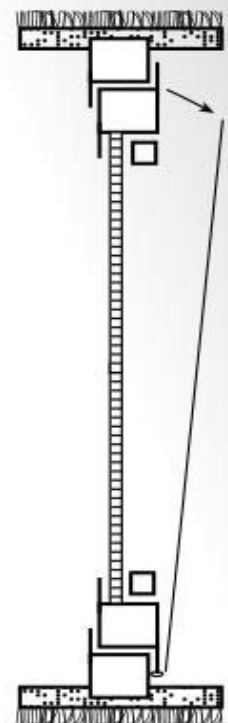
T-PROFILE

GROUP-4



SHAPE	Thick	Length	Mass	Dimension (mm)			
	T	m	(kg/m)	A	B	C	D
Z-60	0.90	6.000	1.32	61	15	34	31

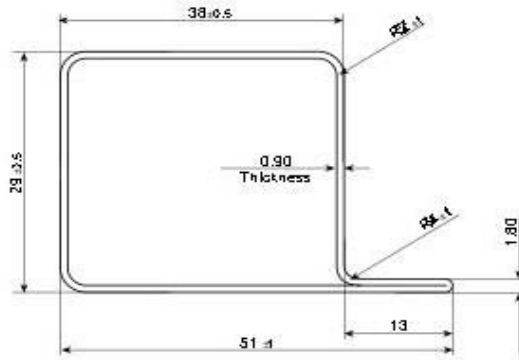
Z-PROFILE



# "L", "T" & "Z" PROFILES FOR DOOR & WINDOW FRAMES



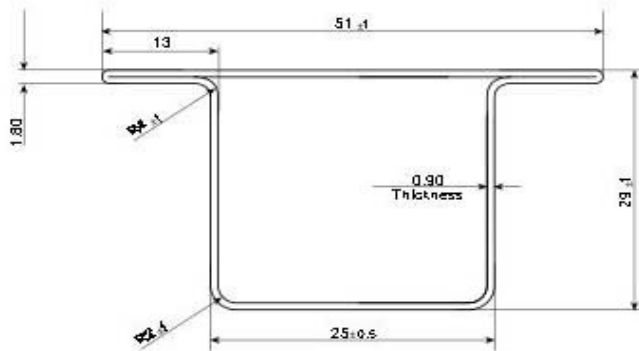
GROUP-2



SHAPE	Thick	Length	Mass	Dimension (mm)			
	T	m	(kg/m)	A	B	C	D
L-55	0.80	6.000	1.01	51	13	29	38

L-PROFILE

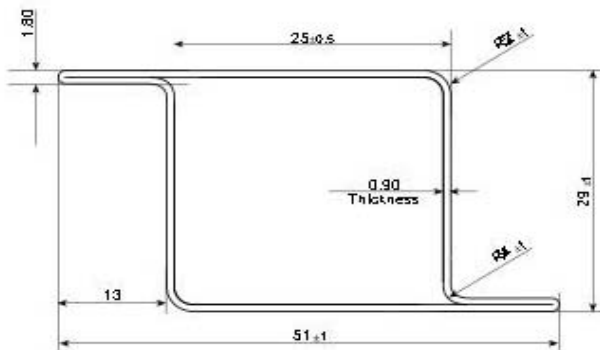
GROUP-2



SHAPE	Thick	Length	Mass	Dimension (mm)			
	T	m	(kg/m)	A	B	C	D
T-60	0.80	6.000	1.01	51	13	29	25

T-PROFILE

GROUP-2



SHAPE	Thick	Length	Mass	Dimension (mm)			
	T	m	(kg/m)	A	B	C	D
Z-60	0.80	6.000	1.01	61	15	34	31

Z-PROFILE

